



# Cat<sup>®</sup> 299D XHP

## COMPACT TRACK LOADER

### FEATURES:

The Cat<sup>®</sup> 299D XHP Compact Track Loader, with its vertical lift design, delivers extended reach and lift height for quick and easy truck loading. The torsion axle suspension system provides superior traction, flotation and the ability to work in a wide range of underfoot conditions and applications. The 299D XHP features the following:

- **Sealed and pressurized cab** provides a cleaner and quieter operating environment.
- **Seat mounted adjustable joystick controls and air ride seat** make the D Series the industry leader in operator comfort.
- **High performance power train** provides maximum performance and production capability through the Electronic Torque Management system, standard two speed travel and an industry exclusive electronic hand/foot throttle with decel pedal capability.
- **Electronically controlled Cat C3.8 aftercooled engine** provides high horsepower and torque while meeting U.S. EPA Tier 4 Interim (EU Stage IIIB) requirements.
- **Cat "Intelligent Leveling" system (ILEV)** provides industry leading technology, integration and exclusive features such as dual direction self level, work tool return to dig and work tool positioner.
- **XHP hydraulic system** provides high flow and high pressure that delivers industry leading hydraulic horsepower to efficiently run even the most power hungry work tools.
- **Standard fully independent torsion axle suspension** combined with the Speed Sensitive Ride Control system improves operation on rough terrain, enabling better load retention, increased productivity and greater operator comfort.
- **Easy routine maintenance** helps reduce machine downtime for greater productivity.
- **Broad range of performance matched Cat Work Tools** make the Cat Compact Track Loader the most versatile machine on the job site.

## Specifications

### Engine

Engine Model	Cat <sup>®</sup> C3.8 (turbocharged)	
Gross Power SAE J1995	82 kW	110 hp
Net Power SAE 1349	79 kW	106 hp
Displacement	3.8 L	232 in <sup>3</sup>
Stroke	120 mm	4.7 in
Bore	100 mm	3.9 in

### Weights\*

Operating Weight	5283 kg	11,647 lb
------------------	---------	-----------

### Power Train

Travel Speed (Forward or Reverse):		
One Speed	8.1 km/h	5.0 mph
Two Speed	13.6 km/h	8.5 mph

### Hydraulic System

Hydraulic Flow – XHP:		
Max. Loader Hydraulic Pressure	28 000 kPa	4,061 psi
Max. Loader Hydraulic Flow	150 L/min	40 gal/min
Hydraulic Power (calculated)	70 kW	94 hp
Standard Flow Mode:		
Loader Hydraulic Pressure	23 000 kPa	3,335 psi
Loader Hydraulic Flow	86.4 L/min	23 gal/min

\*Operating Weight, Operating Specifications and Dimensions all based on 75 kg (165 lb) operator, all fluids, 2 speed, counterweights, 1981 mm (78 in) Dirt Bucket, 400 mm (15.7 in) wide tracks, triple flange front/rear idlers, ride control, enclosed cab with glass door, side windows, air conditioning, air ride seat and manual quick coupler (unless otherwise noted).

### Operating Specifications

Rated Operating Capacity:		
35% Tipping Load	1445 kg	3,185 lb
50% Tipping Load	2064 kg	4,550 lb
Tipping Load	4128 kg	9,100 lb
Breakout Force, Tilt Cylinder	3348 kg	7,381 lb
Breakout Force, Lift Cylinder	2767 kg	6,100 lb
Ground Contact Area	1.41 m <sup>2</sup>	2,184 in <sup>2</sup>
Ground Pressure	36.8 kPa	5.3 psi

### Cab

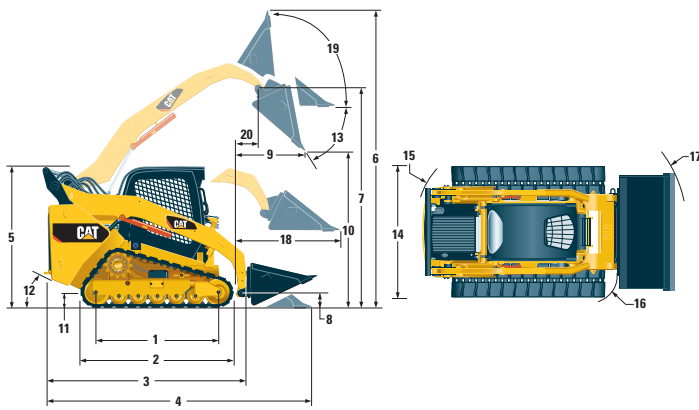
ROPS	SAE J1040 MAY94, ISO 3471:1994
FOPS	SAE J1043 SEPT87, ISO 3449:1992 Level I
FOPS Level II	SAE J231 JAN81, ISO 3449:1992 Level II

### Service Refill Capacities

Cooling System	14 L	3.7 gal
Engine Crankcase	10 L	2.6 gal
Fuel Tank	117 L	30.8 gal
Hydraulic System	61 L	16.0 gal
Hydraulic Tank	39 L	10.3 gal



# 299D XHP Compact Track Loader



## Dimensions

1 Length of Track on Ground	1767 mm	69.6 in
2 Overall Length of Track	2270 mm	89.4 in
3 Length w/o Bucket	3138 mm	123.5 in
4 Length w/Bucket on Ground	3850 mm	151.6 in
5 Height to Top of Cab	2104 mm	82.8 in
6 Max. Overall Height	4048 mm	159.4 in
7 Bucket Pin Height at Max. Lift	3217 mm	126.6 in
8 Bucket Pin Height at Carry Position	195 mm	7.7 in
9 Reach at Max. Lift and Dump	787 mm	31.0 in
10 Clearance at Max. Lift and Dump	2418 mm	95.2 in
11 Ground Clearance	231 mm	9.1 in
12 Departure Angle	39°	
13 Maximum Dump Angle	52°	
14 Vehicle Width	1931 mm	76.0 in
15 Turning Radius from Center – Machine Rear	1849 mm	72.8 in
16 Turning Radius from Center – Coupler	1535 mm	60.4 in
17 Turning Radius from Center – Bucket	2347 mm	92.4 in
18 Max. Reach w/Arms Parallel to Ground	1288 mm	50.7 in
19 Rack Back Angle at Max. Height	83°	
20 Bucket Pin Reach at Max. Lift	410 mm	16.1 in

## MANDATORY EQUIPMENT

- Quick Coupler, Mechanical or Electric
- Seat Belt, 50 mm (2 in) or 75 mm (3 in)

## COMFORT PACKAGE

- Enclosed ROPS with Heat (C3): *Cup Holder, Radio Ready, Air Ride Seat, Air Conditioner with Heater and Defroster, Side Windows, Door (Glass or Polycarbonate)*

## HYDRAULIC PERFORMANCE PACKAGE

- (H3) XHP Hydraulics, *Dual Direction Electronic Self Level (raise and lower), Work Tool Return to Dig, Work Tool Positioner, Electronic Snubbing (Lift)*

## UNDERCARRIAGE

- Steel Imbed Rubber Track – 400 mm (15.7 in) with Triple Flange Idlers (front and rear), Suspension – 4 Independent Torsion Axles

## STANDARD EQUIPMENT

### ELECTRICAL

- 12 volt Electrical System
- 100 ampere Alternator
- Automatic Glow Plug Activation
- Ignition Key Start/Stop Switch
- Lights: *Gauge Backlighting, Two Rear Tail Lights, Two Rear Halogen Working Lights, Two Adjustable Front Halogen Lights, Dome Light*
- Backup Alarm
- Heavy Duty Battery, 1,000 CCA

### OPERATOR ENVIRONMENT

- Gauges: *Fuel Level, Hour Meter*
- Operator Warning System Indicators: *Air Filter Restriction, Alternator Output, Armrest Raised/Operator Out of Seat, Engine Coolant Temperature, Engine Oil Pressure, Glow Plug Activation, Hydraulic Filter Restriction, Hydraulic Oil Temperature, Park Brake Engaged, Regeneration – Engine Emissions*
- Cloth Seat, Air Suspension
- Fold in Ergonomic Contoured Armrest
- Control Interlock System, when operator leaves seat or armrest raised: *Hydraulic System Disables, Hydrostatic Transmission Disables, Parking Brake Engages*
- ROPS Cab, Enclosed, Tilt Up
- FOPS, Level I
- Top, Rear and Side Windows
- Headliner, Deluxe
- Floor Mat
- Interior Rearview Mirror
- 12 volt Electric Socket
- Horn
- Hand (Dial) and Foot Throttle, Electronic with Decel Feature
- Advanced Machine Information and Control System (AMICS)

### POWER TRAIN

- Cat® C3.8, Turbo, Tier 4 Interim (Stage IIIB) Certified Engine
- Air Cleaner, Dual Element, Radial Seal
- S-O-S<sup>SM</sup> Sampling Valve, Hydraulic Oil
- Filters, Cartridge-type, Hydraulic
- Filters, Cartridge-type, Fuel and Water Separator
- Radiator/Hydraulic Oil Cooler (side-by-side)
- Spring Applied, Hydraulically Released, Wet Multi Disc Parking Brakes
- Hydrostatic Transmission, Two Speed Travel
- Suspension – Independent Torsion Axles (4)
- Ride Control

### OTHER

- Engine Enclosure, Lockable
- Extended Life Antifreeze, –37° C (–34° F)
- Machine Tie Down Points (4)
- Support, Lift Arm
- Hydraulic Oil Level Sight Gauge
- Radiator Coolant Level Sight Gauge
- Radiator, Expansion Bottle
- Cat ToughGuard™ Hose
- Auxiliary, Hydraulics, Continuous Flow
- Heavy Duty, Flat Faced Quick Disconnects with Integrated Pressure Release
- Split D-Ring to Route Work Tool Hoses Along Side of Left Lift Arm
- Electrical Outlet, Beacon
- Belly Pan Cleanout
- Variable Speed Demand Fan
- Counterweights

## OPTIONAL ATTACHMENTS

- Beacon, Rotating
- Engine Block Heater – 120V
- Oil, Hydraulic, Cold Operation
- Paint, Custom
- AM/FM/Weather Band Receiver with CD Player and Auxiliary Input Jack

For more complete information on Cat products, dealer services, and industry solutions, visit us on the web at [www.cat.com](http://www.cat.com)

AEHQ6565 (01-12)

© 2012 Caterpillar  
All Rights Reserved  
Printed in U.S.A.

Materials and specifications are subject to change without notice. Featured machines in photos may include additional equipment. See your Cat dealer for available options.

CAT, CATERPILLAR, SAFETY.CAT.COM, their respective logos, "Caterpillar Yellow" and the "Power Edge" trade dress, as well as corporate and product identity used herein, are trademarks of Caterpillar and may not be used without permission.

